

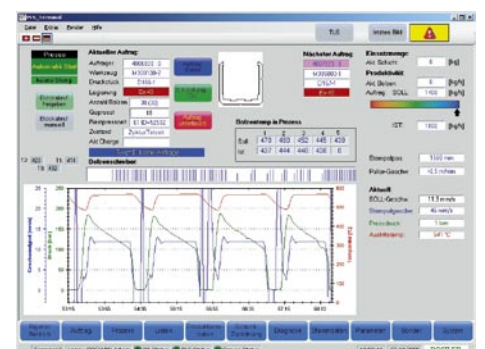
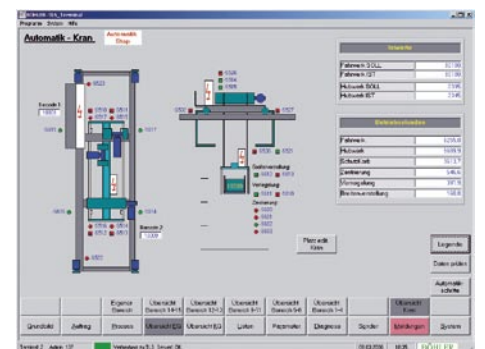
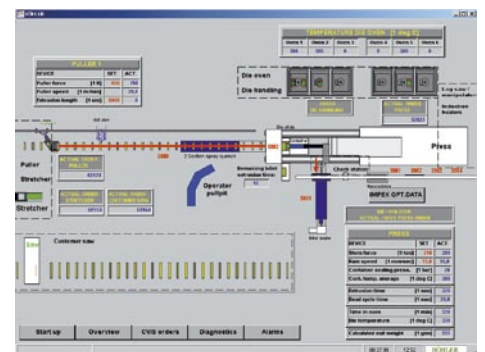
Manufacturing Control Visualization System/MCVIS

SEEING IS BELIEVING.

MCVIS is not limited to any particular sector and thus offers the optimal solution for individual automation tasks. MCVIS is particularly versatile: the spectrum covers anything from a machine-tool to complex automated production lines. A wide range of standard functions ensures that the system can be customized to suit specific requirements. And what's more: the »zoom« function makes for simple, straightforward handling. Find out more about the MCVIS. Now.

What the MCVIS can do:

- Global plant visualization, alarm functions, parameter setting
- Central order management for complex manufacturing lines
- Direct link-up with existing IT systems via ODBC (e.g. Oracle,...)
- Stand-alone operation possible at any time
- Client/server architecture
- Trends, data logging can be configured at will



1. VISUALIZATION OF AN EXTRUSION PRESS
2. STATUS OF AUTOMATIC CRANE
3. VISUALISATION OF ACTUAL PRESS PARAMETERS